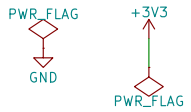
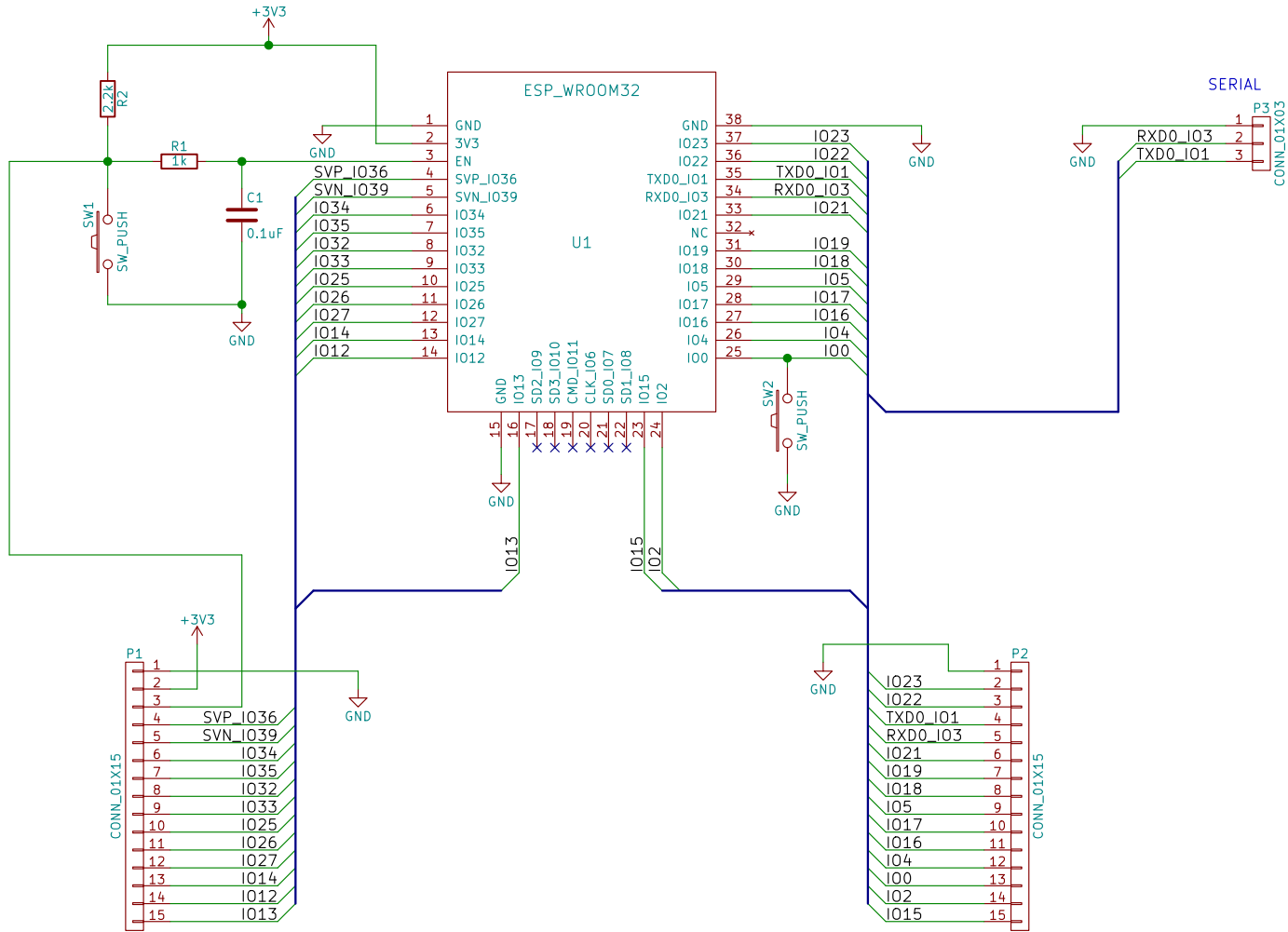


ESP WROOM 32



Indoor Corgi Elec.

Sheet: /  
File: E32-BreadPlus.sch

**Title: E32-BreadPlus**

Size: A4 Date: 2017-02-03  
KiCad E.D.A. kicad 4.0.5-e0-633749ubuntu14.04.1

Rev: 1.0  
Id: 1/1